

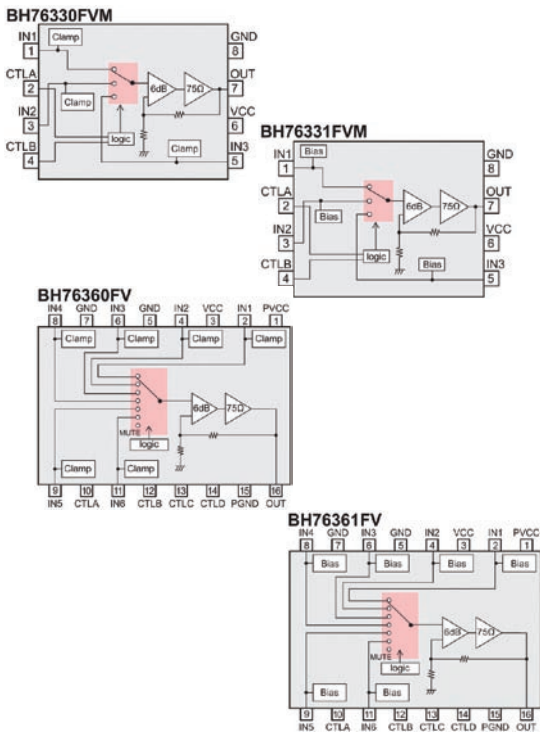


MSOP8

Video Switcher Series

Video Drivers with Built-in Low Voltage Single Circuit Video Switcher

ROHM's lineup of 1 output/3 input (BH76330FVM/BH-76331FVM) and 1 output/6 input (BH76360FV/BH76361FV) video switchers are available in either clamp or bias input. The wide operating temperature range (-40°C to +85°C) makes them ideal for applications requiring high reliability such as car AV and navigation systems.



Key Features

- No output capacitor required - ideal for compact sets
- Operation possible from Vcc=2.8V
- Optimized for car entertainment systems

Applications

- HDTVs
- Car entertainment/navigation systems
- PCs
- Portable devices

Pricing

Quantity per reel: 3,000 pieces

Price: \$0.84 - \$1.26

Samples: Available now

Part #	Supply Voltage (V)	Circuit Current (mA)	Internal Circuit	Input Type	Gain (dB)	Max Output Level (Vpp)		Video Driver	Mute	Output Capacitor-less	Frequency Characteristics	Package
						(Vcc=3V)	(Vcc=5V)					
BH76330FVM	2.8 to 5.5	10	3-in-1	Sync-tip clamp	6	2.7	4.6	Available	Available (standby)	Compatible	0 (f=10MHz)	MSOP8
BH76331FVM	2.8 to 5.5	10	3-in-1	Bias	6	2.8	4.6	Available	Available (standby)	-	0 (f=10MHz)	MSOP8
BH76360FV	2.8 to 5.5	12	6-in-1	Sync-tip clamp	6	2.7	4.6	Available	Available	Compatible	0 (f=10MHz)	SSOP-B16
BH76361FV	2.8 to 5.5	12	6-in-1	Bias	6	2.8	4.6	Available	Available	-	0 (f=10MHz)	SSOP-B16

More info

<http://www.rohm.com/products/lsi/video/video/sel2/>

See our full lineup: <http://www.rohm.com/products/lsi/video/video/switch/>

Visit us at www.rohmsemiconductor.com

